

Technical **Brackets**

Brackets Technical Information

CLIC Clamps

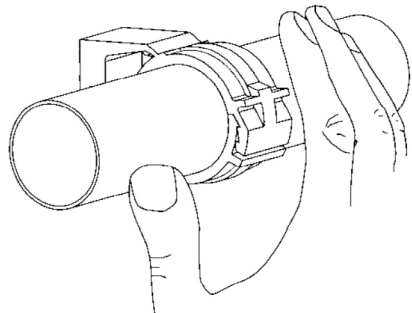
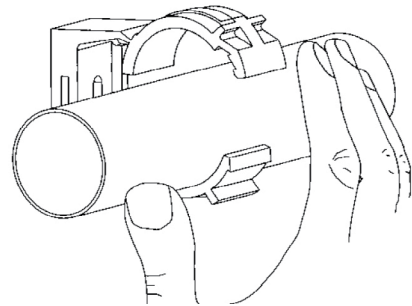
Swiss Technology with gripping possibilities for the world of pipe and cable fastening.

Benefits of CLIC

- Fast to install
- Heavy duty and strong
- Can be used as hangers
- UV and chemical resistant
- Suitable for a wide range of piping options due to the unique ratchet system
- -40 to 110°C temperature suitability

Tested and internationally certified, used in over 40 countries worldwide, CLIC clamps have been approved for use in a huge range of industry applications.

- Telecommunication/Electrical
- Dairy and Food
- Chemical and Corrosive
- Marine
- Sanitary/Hygiene
- Mechanical
- Fire Safety Systems
- Infrastructure/Construction



CLIC Selection Guide

Clic Type	Clic Size	Europress	PVC	DWV	Stormwater	Electrical Duct	MDPE
12	11.8-14.3mm		8mm				
15	14.3-16.8mm	15mm					
17	16.8-19.5mm		10mm				
20	19.5-21.8mm		15mm				20mm
22	21.8-24.8mm	22mm					
25	24.8-27.8mm		20mm				25mm
28	27.8-31.2mm	28mm					
32	31.2-35.5mm		25mm				32mm
36	35.5-39.5mm	35mm		32mm		32mm	
40	39.5-43.5mm	42mm	32mm	40mm		40mm	40mm
47	46.5-50.5mm		40mm				
51	50.5-55.5mm	54mm		50mm		50mm	50mm
59	58.5-64.0mm		50mm				63mm
63	63-71mm			65mm		65mm	
71	71-80mm	76.1mm	65mm				75mm
80	80-90mm	88.9mm		80mm		80mm	
90	90-101mm		80mm		90mm		90mm
101	101-113mm	108mm		100mm	100mm	100mm	110mm
113	113-127mm		100mm				

Brackets Technical Information

Clc Type	Clc Size	PP-R	Copper (NZS 3501)	Galv	S/S Tube
12	11.8-14.3mm				15mm
15	14.3-16.8mm	16mm	15mm		
17	16.8-19.5mm				
20	19.5-21.8mm	20mm	20mm	15mm	20mm
22	21.8-24.8mm				
25	24.8-27.8mm	25mm	25mm	20mm	25mm
28	27.8-31.2mm				
32	31.2-35.5mm	32mm	32mm	25mm	32mm
36	35.5-39.5mm				40mm
40	39.5-43.5mm	40mm	40mm	32mm	
47	46.5-50.5mm			40mm	
51	50.5-55.5mm	50mm	50mm		50mm
59	58.5-64.0mm	63mm		50mm	65mm
63	63-71mm		65mm		
71	71-80mm	75mm	80mm	65mm	80mm
80	80-90mm			80mm	
90	90-101mm	90mm			
101	101-113mm	110mm	100mm		100mm
113	113-127mm			100mm	

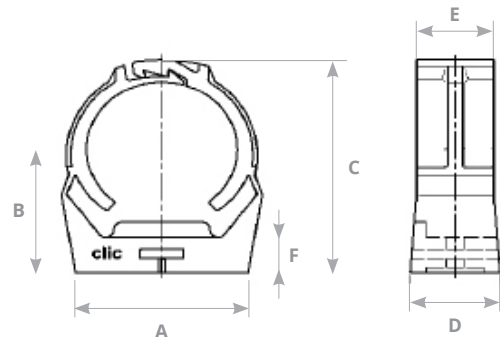
Clc Type 15 - 59



Clc Type 63 - 113



Technical Information



Clc Weight Loading

Clc Type	Clc Size	A (mm)	B (mm)	C (mm)	D (mm)	E (mm)	F (mm)	Safe Working Load In All Directions Kg
12	11.8 - 14.3mm	20.2	19.5	28.3	17.2	14.5	7.5	20.39
15	14.3 - 16.8mm	20.6	20	32	17.1	14.5	7.5	22.43
17	16.8 - 19.5mm	22.5	22	35.4	19.5	16	7.8	23.96
20	19.5 - 21.8mm	24.8	23.7	39.4	20	16.3	7.8	25.49
22	21.8 - 24.8mm	27.8	25.5	42	20	16.5	7.8	27.53
25	24.8 - 27.8mm	30.4	26.8	45.1	20	17	8.8	30.59
28	27.8 - 31.2mm	33.4	28.8	48.9	20.2	17	8.8	32.63
32	31.2 - 35.5mm	38	32.2	54.4	21	17.5	9	37.73
36	35.5 - 39.5mm	41.8	34.3	59.4	21	18	9.1	40.79
40	39.5 - 43.5mm	46.2	36.3	64.2	21	18.6	9.4	44.87
47	46.5 - 50.5mm	53.5	40.6	72.8	22	19.5	9.8	47.93
51	50.5 - 55.5mm	58.6	44.3	78.7	23	20	10.2	50.99
59	58.5 - 64.0mm	66.3	48.6	88.2	23.2	21	10.7	55.06

with screw DIN 571 at + 20°C safety factor ~ 3 included *Load direction as per above

Brackets Technical Information

Clic Type	Clic Size	A (mm)	B (mm)	C (mm)	D (mm)	E (mm)	F (mm)	Vertical Force Kg	Horizontal Force Kg
63	63 - 71mm	78	72	115	40	31	52	61.18	34.67
71	71 - 80mm	87	77	124	40	31	58	75.45	44.86
80	80 - 90mm	98	83	136	40	31	66	89.73	55.06
90	90 - 101mm	110	89	148	40	31	76	101.97	65.26
101	101 - 113mm	124	96	163	40	31	86	122.36	75.45
113	113 - 127mm	139	105	180	40	31	102	137.66	85.65

with screw DIN 571 at + 20°C safety factor ~ 3 included *Load direction as per above

Europress Bracket Spacing

Pipe	15	22	28	35	42	54	76.1	88.9	108	139.7	168.3
Recommended	1.5	2	2.3	2.5	3	3	3.5	3.7	4	4.5	4.8
Maximum (refer tech dept)	1.5	2.5	2.5	3.5	3.5	3.5	5	5	5	5	5

Polyethylene Pipe Bracket Spacing

Pipe Diameter (mm)	SDR26	SDR21	SDR17	SDR13.6	SDR11	SDR9	SDR7.4
20							0.70
25					0.70	0.75	0.80
32			0.75	0.80	0.85	0.85	0.90
40			0.90	0.90	1.00	1.05	1.05
50		0.95	1.00	1.05	1.15	1.15	1.20
63	1.05	1.10	1.20	1.25	1.30	1.40	1.40
75	1.20	1.25	1.35	1.40	1.50	1.55	1.60
90	1.30	1.40	1.50	1.55	1.65	1.70	1.80
110	1.35	1.50	1.60	1.65	1.70	1.80	1.85
125	1.50	1.65	1.75	1.85	1.95	2.00	2.05
140	1.65	1.80	1.90	2.00	2.10	2.20	2.25
160	1.80	1.90	2.05	2.15	2.25	2.35	2.40
180	1.90	2.00	2.15	2.25	2.40	2.55	2.55
200	2.00	2.15	2.30	2.40	2.55	2.65	2.70
225	2.15	2.30	2.50	2.60	2.70	2.80	2.90
250	2.25	2.40	2.60	2.70	2.85	3.00	3.05
280	2.40	2.60	2.75	2.90	3.05	3.15	3.25
315	2.50	2.70	2.90	3.05	3.20	3.30	3.40
355	2.70	2.90	3.10	3.25	3.40	3.55	3.65
400	2.90	3.00	3.30	3.45	3.65	3.80	3.90
450	3.00	3.20	3.40	3.60	3.75	3.90	4.00
500	3.15	3.40	3.60	3.80	4.00	4.15	
560	3.35	3.60	3.85	4.00	4.25	4.40	
630	3.60	3.85	4.10	4.30	4.55	4.70	
710	3.80	4.10	4.40	4.60	4.85		
800	4.05	4.30	4.65	4.90	5.15		
900	4.30	4.50	4.95	5.15	5.45		
1000	4.55	4.70	5.20	5.45	5.75		

For bracket spacing for Series 1 PVC, and Schedule 80 PVC and CPVC please refer to the Technical Information for each product.